

Title			eOscope		
Size	Number			Revision	
A4					
Date:	06.11.2011	Sheet of			
File:	C:\Program Files\...scope.SchDoc	Drawn By:			

1

2

3

4

A

A

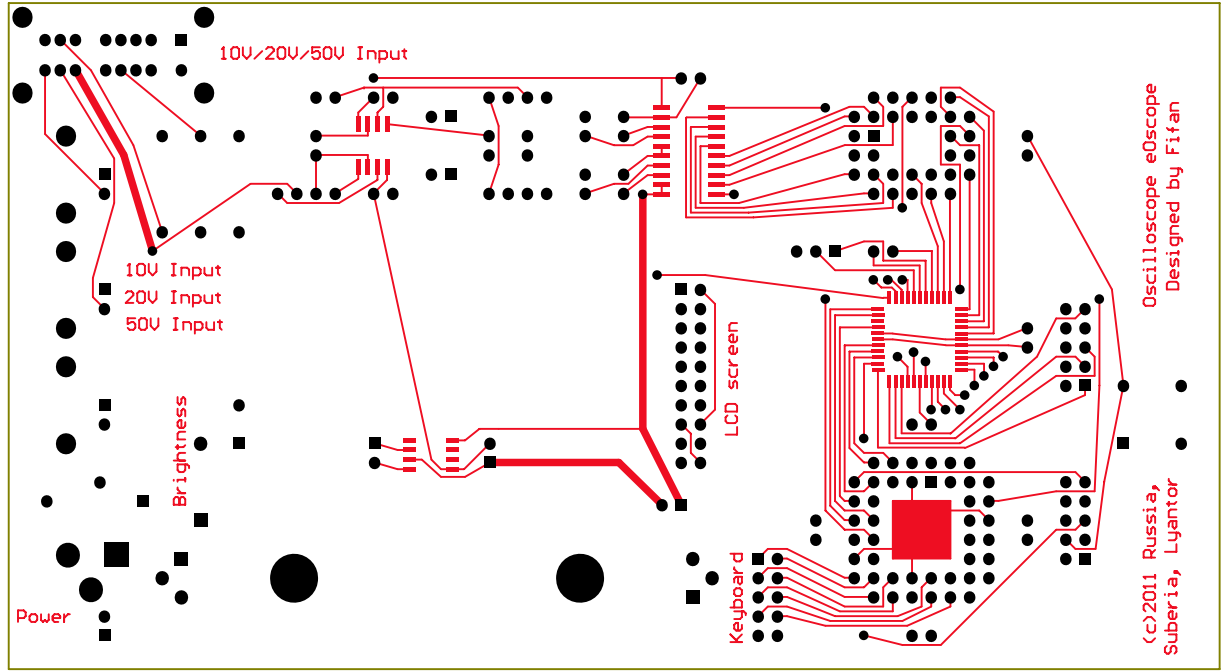
B

B

C

D

D



Altium Limited
 12a Rodborough Rd
 Frenchs Forest
 NSW 2086

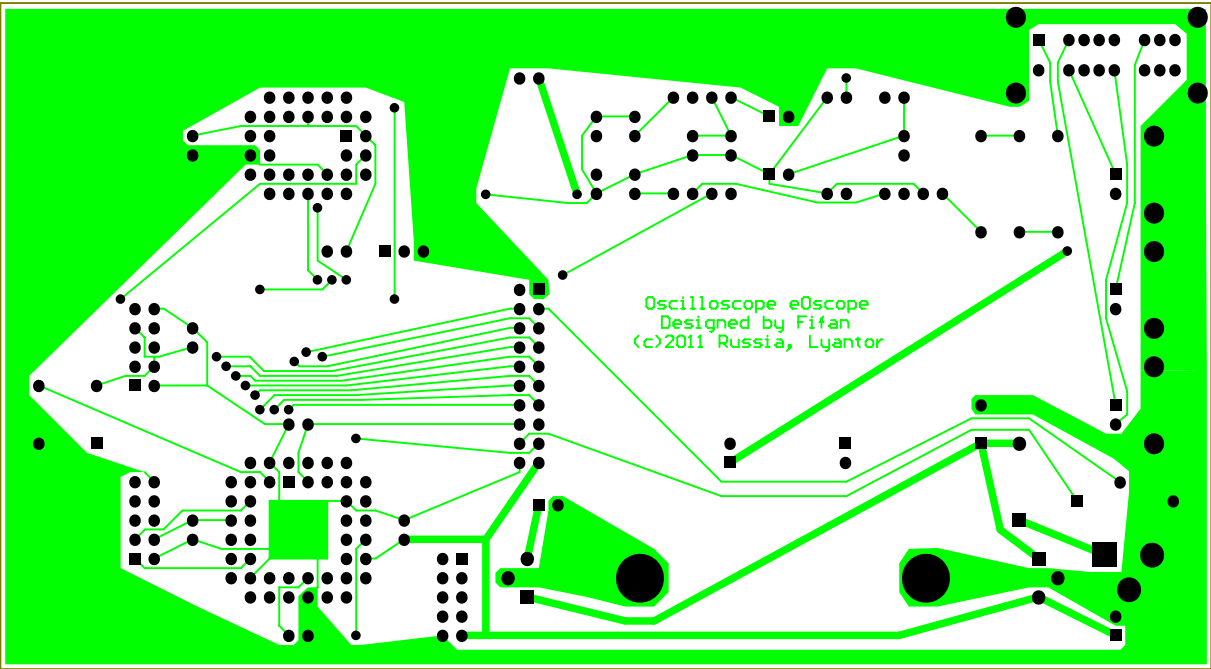
ENGINEER:	TITLE:		
PCB DESIGNER:			
DATE: 06.11.2011	PART NO.:	REV:	
FILE NAME: scope.PcbDoc	DWG NO.:	SCALE:	

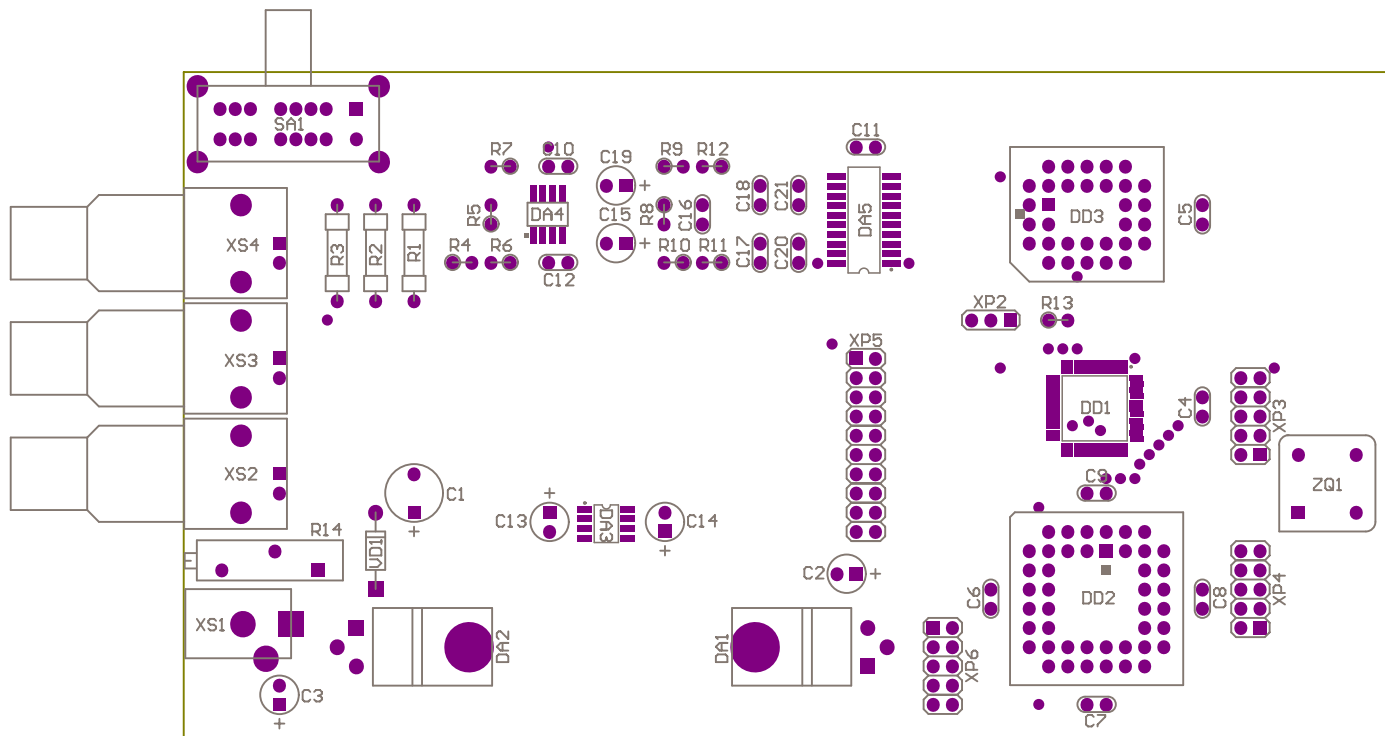
1


2

3

4





 <p>Altium Limited 12a Rodborough Rd Frenchs Forest NSW 2086</p>	ENGINEER:	TITLE:	
	PCB DESIGNER:		
DATE: 06.11.2011	PART NO.:	REV:	
FILE NAME: scope.PcbDoc	DWG NO.:	SCALE:	